

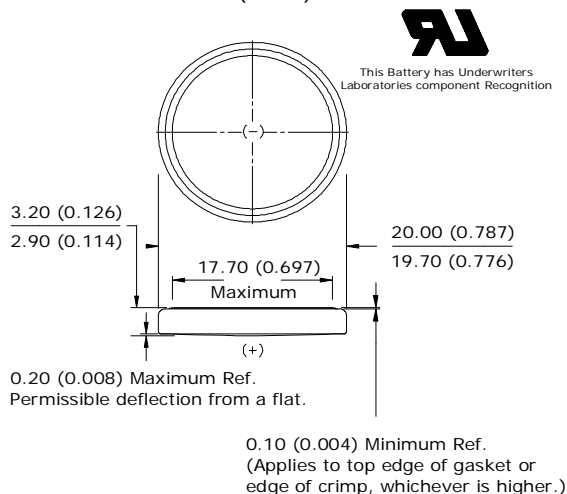
ENERGIZER CR2032

Lithium Coin



Industry Standard Dimensions

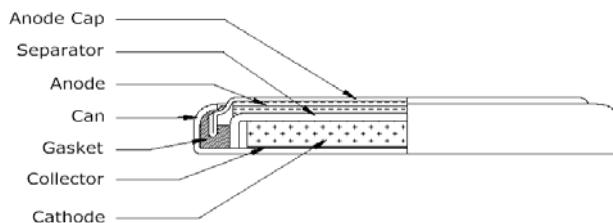
mm (inches)



- Classification:** "Lithium Coin"
Chemical System: Lithium / Manganese Dioxide (Li/MnO₂)
Designation: ANSI / NEDA-5004LC, IEC-CR2032
Nominal Voltage: 3.0 Volts
Typical Capacity: 240 mAh (to 2.0 volts)
 (Rated at 15K ohms at 21°C)
Typical Weight: 3.0 grams (0.10 oz.)
Typical Volume: 1.0 cubic centimeters (0.06 cubic inch)
Max Rev Charge: 1 microampere
Energy Density: 198 milliwatt hr/g, 653 milliwatt hr/cc
Typical Li Content: 0.109 grams (0.0038 oz.)
UL Listed: MH12454
Shipping: For complete details, please reference:
 Global (except US): Special Provision A45 of the International Air Transport Association Dangerous Goods Regulations
 United States: 49 CFR 173.185

Safety - lithium coin batteries lodged in the esophagus should be removed immediately. Leakage, chemical burns and potential perforation can occur within hours of ingestion. Seek medical attention immediately. Have physician call the NATIONAL BATTERY INGESTION HOTLINE for advice and follow-up (202)-625-3333 collect day or night.

Cross Section



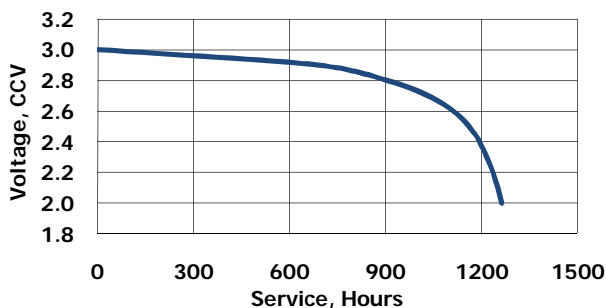
Simulated Application test

Typical Performance at 21°C (70°F)

Schedule:	Typical Drains: at 2.9V (mA)	Load (ohms)	Cutoff 2.0V (hours)
Continuous	0.19	15,000	1,263

Typical Discharge Characteristics

Load: 15K ohms - Continuous
 Typical Drain @ 2.9V: 0.19 mA

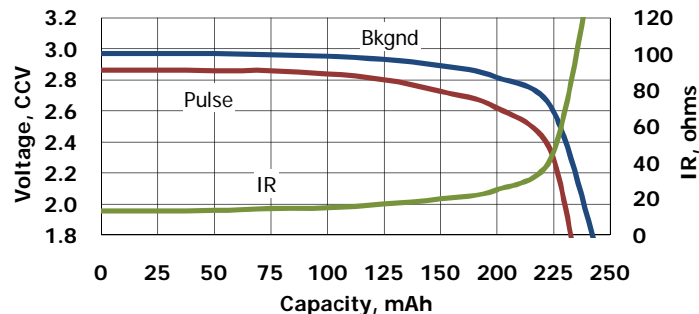


Internal Resistance Characteristics

Pulse Test at 21°C (70°F)

Bkgnd Drain: Continuous
 15K ohms
 0.19 mA @2.9V

Pulse Drain: 2 seconds X 12 times/day
 400 ohms
 6.8 mA @2.7V



Important Notice

This datasheet contains typical information specific to products manufactured at the time of its publication.
 ©Energizer Holdings, Inc. - Contents herein do not constitute a warranty.